



L&C

LABELING & CODING

AURORA® WIDE SHRINK SLEEVE APPLICATOR



Dependable, steady-state wide film application at speeds up to 250 containers or multipacks per minute

Aurora® Wide shrink sleeve applicators are the mid-speed, wide film models in Axon's complete line of shrink sleeve systems. Aurora Wide applicators provide dependable, steady-state production speeds up to 250 containers or multipacks per minute. They are capable of applying sleeves to containers or multipacks up to 9.8" in diameter.

Aurora Wide sleeve applicators are mandrel style machines that use servo motion control to deliver consistent, repeatable performance. Container changeovers are tool-less and require less than ten minutes depending on product sizes and shapes.

FEATURES AND BENEFITS

- **Wide film size range flexibility** - Container or multipack diameters range from 2.95" (75 mm) to 9.84" (250 mm)
- **Fast, tool-less size changeovers** - Size changeovers can be completed in less than ten minutes depending on container sizes and shapes
- **Servo motion control** - Dedicated servo drives for the feedscrew, film feed system, and cutting assembly deliver fast, accurate film feeding, registration and cutting
- **Intuitive, industry standard PackML programming & HMI user interfaces** - Consistent terminology, consistent screen displays and standardized program structures enhance ease of operation and maintenance
- **Auto-reversing cutter & dual edge blades** - Dual edge cutting blades with a programmed auto-reversing cutting system extends blade life and reduces frequency of blade replacement
- **Electronic height adjustment** - Push-button system eliminates manual hand-crank height adjustments
- **Swing-arm HMI** - Easy access to controls from front, side or back of machine
- **Sealed-for-life bearings** - Lubrication free bearings and servo motion control make the Aurora Wide a lubrication free machine

SHRINK APPLICATIONS

Like every Axon shrink sleeve applicator, Aurora Wide offers the flexibility to perform multiple shrink applications. This flexibility makes Axon shrink sleeve applicators one of the best values in the industry.



WIDE CONTAINER



MULTIPACK



FULL BODY



FULL BODY OVER THE CAP



TAMPER EVIDENT



TAMPER EVIDENT



PARTIAL



AURORA® WIDE SHRINK SLEEVE APPLICATOR

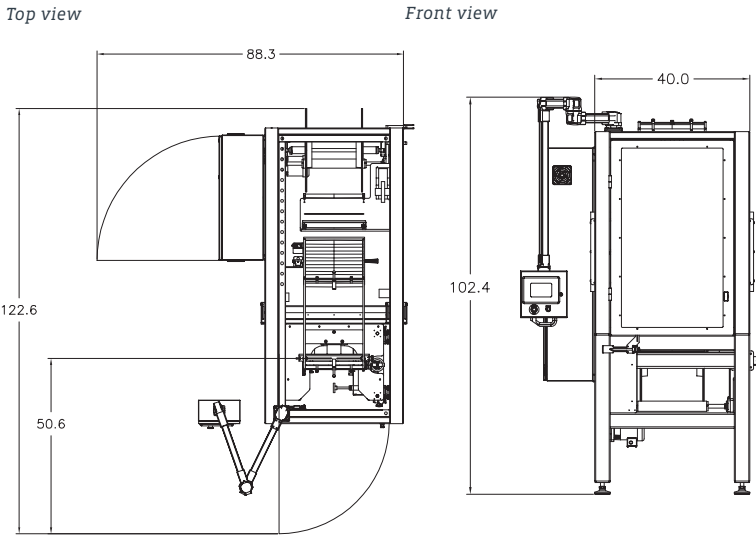
TYPICAL PRODUCT SPECIFICATIONS

Speed	Up to 250 cpm*
Film Layflat Range	120 mm – 400 mm (4.72" - 15.75")
Container Diameter or Multi-Pack Cross Section	75 mm – 250 mm (2.95" - 9.84")
Applied Film Materials	PVC, PETG, OPS, PLA
Film Thickness	40-70 microns (1.5 - 3.0 mil)
Language Support	English and Spanish with one touch toggle control

Controls	Allen-Bradley standard	
HMI	Allen-Bradley standard Wide-arc swing arm mounting standard	
Servos	Allen-Bradley standard	
Electrical Enclosure	NEMA 4 standard	NEMA 4X available option
Machine Frame	Cantilevered 304 stainless steel standard	Cantilevered 316 stainless steel available option
Power	230 VAC, 3-phase standard	480 VAC, 3-phase available option

* Dependent on product size and shape

CONFIGURATION



Dimensions are in inches

OPTIONS

- **Automatic Speed Control** - Enables machine to automatically increase or decrease speeds based on line conditions
- **Print Registration** - Fiber optic sensor reads film registration marks so the PLC can calculate cut lengths to assure sleeve length accuracy
- **Vertical, Horizontal & T Perforators** - Add perforations to enhance ease of opening
- **Infeed Timing Screws** - Required for multipacks, certain container geometries
- **Product Spacers** - Separate containers at infeed to assure smooth production rates
- **Film Unwind** - Dual-reel film unwind with festoon film accumulation + manual splice on the fly
- **Spare Parts Kit** - Recommended start-up parts inventory

SHRINK APPLICATIONS



WIDE CONTAINER



MULTIPACK



FULL BODY OVER THE CAP



TAMPER EVIDENT



TAMPER EVIDENT



PARTIAL

©2018 ProMach Inc. ProMach reserves the right to change or discontinue specifications and designs shown in this brochure without notice or recourse
PM-AX-SP102_Axon_Aurora Wide_0719v2

PHONE
919-772-8383

EMAIL
Axon@ProMachBuilt.com

WEB
AxonCorp.com

P.E. North America
3080 Business Park Dr, Suite 103
Raleigh, NC 27610