



L&C

LABELING & CODING

## EZ-WIDE LOW TO MID-SPEED SHRINK SLEEVE APPLICATORS



Flexible and economical shrink sleeve and tamper band application for wide format films at speeds up to 50 cpm for single head models and up to 90 cpm for dual head models

EZ-Wide applicators are the low to mid-speed, value priced models for wide format films in Axon's complete line of shrink sleeve and tamper band systems. EZ-Wide includes a series of three models that accommodate film widths up to 900 mm (35.4").

EZ-Wide models are offered with single-head and dual head configurations and dual head configurations are capable of steady-state production speeds from 60 to 90 cpm depending on container size. EZ-Wide applicators are vacuum style machines that use economical stepper motors for consistent, repeatable performance.

### FEATURES AND BENEFITS

- **Fully automatic** - Sleeve application process is fully automated, recipe driven and a touch screen HMI makes operation simple
- **Large size capable** - Container diameters or multipack cross-sections up to 22.5" (571 mm)
- **Simple to operate, easy to maintain** - Design minimizes use of moving parts which reduces complexity for both operators and maintenance personnel
- **Fast, tool-less size changeovers** - Size changeovers can be completed in five minutes or less
- **Guillotine style cutter** - Simple, durable and dependable two-blade cutting system delivers consistent, clean cuts
- **Long blade life** - Under normal operating conditions EZ-Wide cutting blades can be used for up to one year before replacement is required
- **Modular head design** - Single head applicator can be easily upgraded to a dual heads for increased production speeds
- **Vacuum spreader guide system** - Simple vacuum technology with inexpensive film spreader guides makes change parts inexpensive, and a true bargain

### SHRINK APPLICATIONS

Like every Axon shrink sleeve applicator, EZ-Wide offers the flexibility to perform multiple shrink applications. This flexibility makes Axon shrink sleeve applicators one of the best values in the industry.



WIDE CONTAINER



MULTIPACK



FULL BODY



FULL BODY OVER THE CAP



TAMPER EVIDENT



TAMPER EVIDENT



PARTIAL



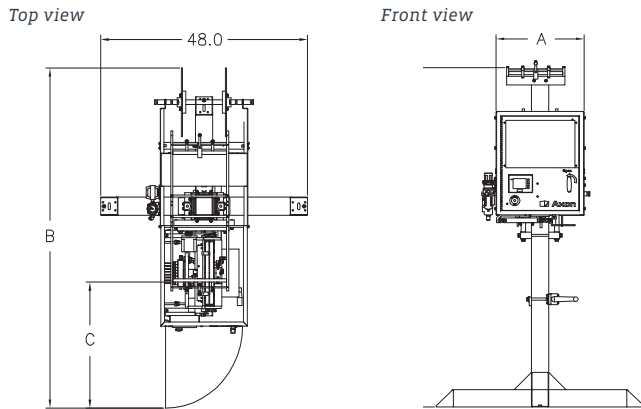
# EZ-WIDE LOW TO MID-SPEED SHRINK SLEEVE APPLICATORS

## TYPICAL PRODUCT SPECIFICATIONS

	EZ-400	EZ-650	EZ-900
<b>Max. Rate (1 Head)</b>	50 cpm*	40 cpm*	35 cpm*
<b>Max. Rate (2 Head)</b>	90 cpm*	70 cpm*	60 cpm*
<b>Sleeve Lay Flat Range</b>	200 mm - 400 mm	250 mm - 650 mm	250 mm - 900 mm
<b>Product Diameter</b>	125 mm to 250 mm	155 mm to 410 mm	155 mm to 571 mm
<b>Applied Materials</b>	PVC, PETG, OPS, PLA		
<b>Film Thickness</b>	60-70 microns (2.3-3.0 mil)		70-100 microns (3.0-4.0 mil)
<b>Controls</b>	Siemens PLC & HMI Allen-Bradley Available Option		
<b>Power</b>	220 VAC, 1-Phase		
<b>Air</b>	80 psi		
<b>Air Volume</b>	5-10 cfm		

\* Dependent on product size and shape

## CONFIGURATION



Dimensions are in inches

	A	B	C
<b>EZ-400</b>	36	88	64
<b>EZ-650</b>	40	88	72
<b>EZ-900</b>	52	88	85

## OPTIONS

- **Static Reduction** - Mitigates static build-up
- **Print Registration** - Fiber optic sensor reads film registration marks so the PLC can calculate cut lengths to assure sleeve length accuracy
- **Vertical, Horizontal & T Perforators** - Add perforations to enhance ease of opening
- **Band Positioning** - Belt system assures correct placement of tamper bands or partial body sleeves during application process.
- **Low Film Alarm** - Automatically detects low film levels and alerts operator
- **Product Spacers** - Precisely separate containers at the infeed to assure smooth production
- **Infeed Timing Screws** - Required for multipacks, certain container geometries
- **Spare Parts Kit** - Recommended start-up parts inventory

## SHRINK APPLICATIONS



WIDE CONTAINER



MULTIPACK



FULL BODY  
OVER THE CAP



TAMPER EVIDENT



TAMPER EVIDENT



PARTIAL

©2019 ProMach Inc. ProMach reserves the right to change or discontinue specifications and designs shown in this brochure without notice or recourse  
PM-AX-SP107\_Axon\_EZ-Wide\_0719v2

PHONE  
919-772-8383

EMAIL  
Axon@ProMachBuilt.com

WEB  
AxonCorp.com

P.E. North America  
3080 Business Park Dr, Suite 103  
Raleigh, NC 27610