



L&C

LABELING
& CODING

HZ-100 HORIZONTAL SHRINK SLEEVE SYSTEM



Integrated horizontal shrink sleeve system for small diameter cylindrical cosmetic products at speeds up to 60 cpm for single head and up to 120 cpm for dual head configurations

HZ-100 horizontal shrink sleeve systems are designed to apply shrink sleeve labels to small diameter, cylindrical products such as lipsticks, eye liner pencils, mascaras and lip balms that are not easily handled in a vertical position.

The system includes a horizontal applicator with static reduction system, an innovative after-tamp sleeve centering station, an integrated compact heat tunnel, a roller conveyor that rotates product inside the heat tunnel and a discharge ramp for a gentle exit of products from the system. The entire system is built on a stainless steel monobloc frame.

HZ-100 horizontal shrink sleeve systems are a proven solution for leading beauty and personal care product companies around the world.

SHRINK APPLICATIONS



FEATURES AND BENEFITS

- **Stainless steel monobloc construction** - HZ-100 systems are mounted on sturdy monobloc stainless steel frames to assure precise sleeving performance
- **15-Minute size changeovers** - HZ-100 systems offer simple, fast container changeovers which increase uptime and improve productivity
- **Guillotine style cutter** - Simple, durable and dependable two-blade cutting system delivers consistent, clean cuts
- **Long blade life** - Under normal operating conditions HZ-100 cutting blades can be used for up to one year before replacement is required
- **After-tamp & sleeve centering system** - Enhances product quality by assuring applied sleeves are accurately positioned prior to shrink process
- **Roller conveyor with digital heat control** - Containers are rotated as they move through the shrink tunnel
- **Auto-lift heat tunnel system** - HZ-100 heat tunnel is automatically raised during conveyor stoppages to avoid damaging sleeved product
- **Intuitive, industry standard PackML programming & HMI user interfaces** - Consistent terminology, consistent screen displays and standardized program structures enhance ease of operation and maintenance



HZ-100 HORIZONTAL SHRINK SLEEVE SYSTEM

TYPICAL PRODUCT SPECIFICATIONS

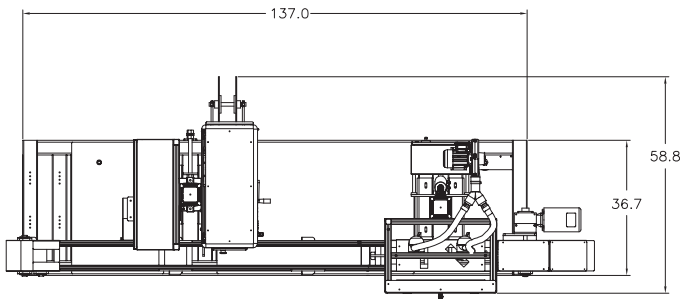
Speed	Up to 60 cpm single head; Up to 120 cpm dual head*
Film Layflat Range	18 mm - 40 mm (.71" - 1.57")
Product Diameter	9 mm - 24 mm (.35" - .94")
Applied Materials	PETG, PVC, OPS, PLA

Film Thickness	50-70 microns
Controls	Allen-Bradley PLC & HMI
Power	220 VAC, 1-Phase
Air	80 psi, 5 cfm

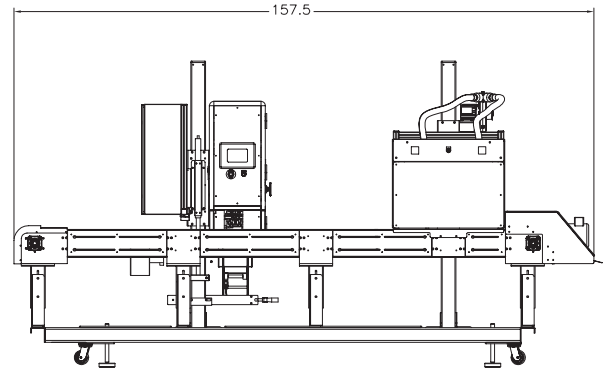
* Dependent on product size and shape

CONFIGURATION

Top view



Front view



*Dimensions are in inches

OPTIONS

- **Dual Applicator Heads** - Second head increases production speeds up to 120 cpm
- **Print Registration System** - Fiber optic sensor reads film registration marks so the PLC can calculate cut lengths to assure sleeve length accuracy
- **Inspection & Rejection** - Detects presence or absence of a sleeve (typically prior to shrink tunnel). No sleeve = product rejection
- **Vertical, Horizontal & T Perforators** - Add perforations to enhance ease of opening
- **Non-round product handling** - Rotates non-round product to enhance shrink quality
- **Date Code Printers** - Integrated thermal transfer printing of UPC codes and date codes
- **Infeed Hopper** - Allows operators to load product into an automated container feed system that meters and discharges single containers onto the infeed conveyor
- **Spare Parts Kit** - Recommended start-up parts inventory

SHRINK APPLICATIONS



©2018 ProMach Inc. ProMach reserves the right to change or discontinue specifications and designs shown in this brochure without notice or recourse
PM-AX-SP108_Axon_HZ-100_0719v4

PHONE
919-772-8383

EMAIL
Axon@ProMachBuilt.com

WEB
AxonCorp.com

P.E. North America
3080 Business Park Dr, Suite 103
Raleigh, NC 27610