



L&C

LABELING  
& CODING

# HYDROTECH™ TB WASHDOWN TAMPER BAND APPLICATOR



## Dependable, steady-state operation at speeds of up to 300 containers per minute

The Axon HydroTech tamper evident band applicator is the newest addition to Axon's complete line of tamper evident band and shrink sleeve applicators. Designed to operate in ice cream production environments, HydroTech applicators provide dependable steady state operation at speeds of up to 300 containers per minute. They are capable of applying tamper bands to round, and non-round containers up to 7.4" in diameter.

HydroTech tamper band applicators are mandrel style machines that use food grade servo motion control to deliver consistent, repeatable performance. Container changeovers are tool-less and require less than 10 minutes depending upon product sizes and shapes.

### FEATURES AND BENEFITS

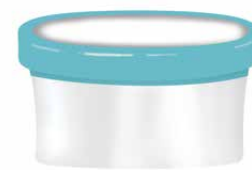
- **Size range flexibility** - Container diameters from 1.4" (35mm) to 7.4" (187mm)
- **Fast, tool-less size changeovers** - Size changeovers can be completed in less than 10 minutes depending upon container size and shapes
- **Servo motion control** - Dedicated servo drives for the film feeding and cutting assemblies deliver fast and accurate film delivery
- **Independent servo controlled film ejector rollers** - Improves application efficiency
- **Front-load retractable film unwind station** - Space saving design incorporates integrated splice table, film accumulation trough, and low film alarm
- **Intuitive, industry standard PackML programming & HMI user interfaces** - Consistent terminology, consistent screen displays and standardized program structures enhance ease of operation and maintenance
- **Electronic height adjustment** - Push-button system eliminates manual hand-crank height adjustments

### SHRINK APPLICATIONS

Hydrotech TB offers the flexibility to apply tamper bands to round and non-round containers.



TAMPER EVIDENT



TAMPER EVIDENT

# AXON™ HYDROTECH™ TB WASHDOWN TAMPER BAND APPLICATOR

## TYPICAL PRODUCT SPECIFICATIONS

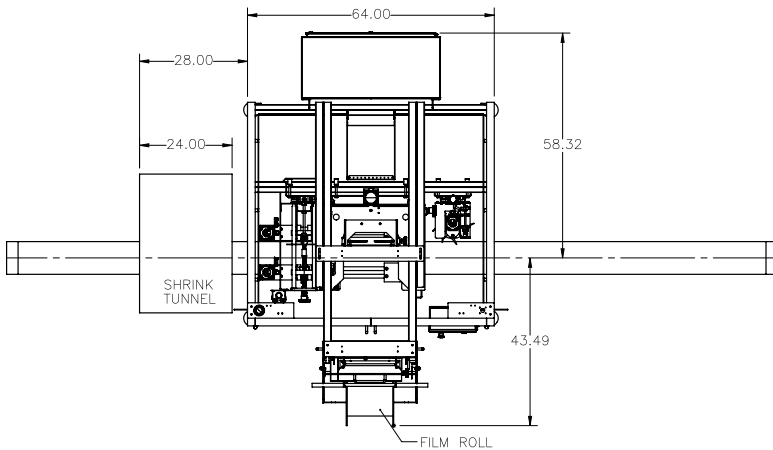
<b>Speed</b>	Up to 300 cpm*
<b>Film Layflat Range</b>	60mm - 300mm (2.36" - 11.81")
<b>Container Diameter</b>	35mm - 187mm (1.4" - 7.4")
<b>Applied Film Materials</b>	PVC, PETG, OPS, PLA
<b>Film Thickness</b>	50 - 70 microns (2.0 - 3.0 mil)
<b>Language Support</b>	English standard Other languages optional

<b>Controls</b>	Allen-Bradley
<b>HMI</b>	10" Allen-Bradley PanelView
<b>Servos</b>	Allen-Bradley
<b>Electrical Enclosure</b>	NEMA 4X
<b>Machine Frame</b>	304 Stainless steel
<b>Power</b>	480 volt, 3 Phase - Standard 230 volt, 3 Phase - Optional

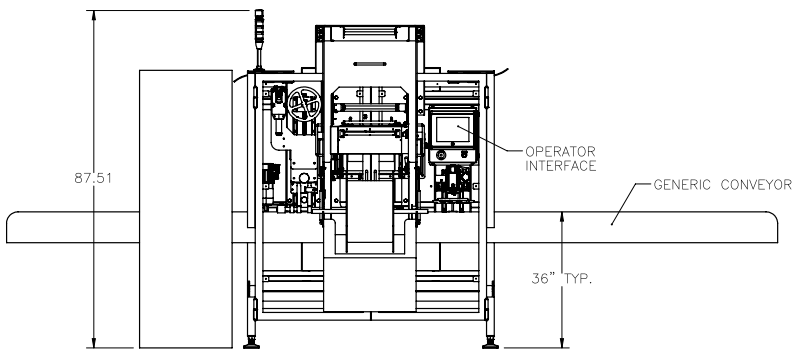
\* Dependent on product size and shape

## CONFIGURATION

Top view



Front view



Dimensions are in inches

## OPTIONS

- **Automatic Speed Control** - Enables machine to automatically increase or decrease speeds based on line conditions
- **Print Registration** - Fiber optic sensor reads film registration marks so the PLC can calculate cut lengths to assure sleeve length accuracy
- **Vertical Perforator** - Add perforations to enhance ease of opening
- **Servo Product Spacers** - Precisely separate containers at the infeed to assure smooth production
- **Spare Parts Kit** - Recommended start-up parts inventory
- **Shrink System** - Clean, space saving design with quick change heating unit
- **Servo-controlled Band Positioning System** - Supports TE band on tapered containers

## SHRINK APPLICATIONS



TAMPER EVIDENT



TAMPER EVIDENT

©2021 ProMach Inc. ProMach reserves the right to change or discontinue specifications and designs shown in this brochure without notice or recourse  
PM-AX-SP114\_HydroTechTBAppliator\_0221

PHONE  
919-772-8383

EMAIL  
Axon@ProMachBuilt.com

WEB  
AxonCorp.com

P.E. North America  
3080 Business Park Dr, Suite 103  
Raleigh, NC 27610