



L&C

LABELING
& CODING

SLX HIGH SPEED SHRINK SLEEVE APPLICATOR



Dependable, steady-state operation at speeds up to 800 cpm

SLX Series shrink sleeve applicators are the high-speed, high performance models in Axon's complete line of shrink sleeve systems. SLX applicators provide dependable, steady-state production speeds up to 800 containers per minute. SLX sleeve applicators are mandrel style machines that use servo motion control to deliver consistent, repeatable performance. Container changeovers are tool-less and require less than ten minutes depending on product sizes and shapes.

Dual segment feedscrews with independent servo control of each segment provide smooth and flexible container handling.

When equipped with the optional thin gauge film handling system SLX applicators are capable of running the thinnest films available in the industry with no reduction in speed or efficiency.

FEATURES AND BENEFITS

- **Size range flexibility** - Container diameters range from 1.2" (30 mm) to 4.9" (125 mm)
- **Fast, tool-less size changeovers** - Size changeovers can be completed in less than ten minutes depending on container sizes and shapes
- **Servo motion control** - Dedicated servo drives for the feedscrew, film feed system, and cutting assembly deliver fast, accurate film feeding, film registration and cutting
- **Intuitive, industry standard PackML programming & HMI user interfaces** - Consistent terminology, consistent screen displays and standardized program structures enhance ease of operation and maintenance
- **Auto-reversing cutter assembly & dual edge blades** - Dual edge cutting blades with a programmed auto-reversing cutting system extends blade life and reduces frequency of blade replacement
- **Electronic height adjustment** - Simple to use push-button system eliminates manual hand-crank height adjustments
- **Digital recipe parameter control** - Assures that machine will not start production, or continue production, if one or more of the 4 key recipe parameters is out of specification. This system is standard on the SLX 800 and improves both operating efficiencies and product quality
- **Zero tension film feed** - Precisely controlled film feed loop with ultrasonic sensors eliminates dancer arms and unneeded tension on the film web during production

SHRINK APPLICATIONS

Like every Axon shrink sleeve applicator, SLX offers the flexibility to perform multiple shrink applications. This flexibility makes Axon shrink sleeve applicators one of the best values in the industry.



FULL BODY



FULL BODY
OVER THE CAP



TAMPER EVIDENT



SLX HIGH SPEED SHRINK SLEEVE APPLICATOR

TYPICAL PRODUCT SPECIFICATIONS

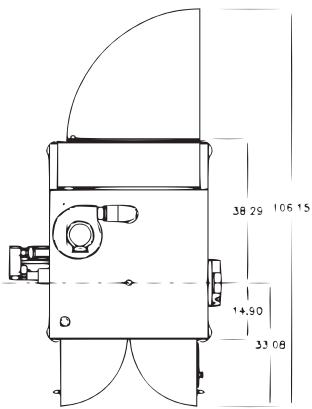
| | SLX-600 | SLX-800 |
|---|---|---------------------|
| Speed | Up to 600 cpm* | Up to 800 cpm* |
| Film Layflat Range | 50 mm - 200 mm (2.0" - 7.8") | |
| Container Diameter or Multi-Pack Cross Section | 30 mm - 125 mm (1.2" - 4.9") | |
| Applied Film Materials | PVC, PETG, OPS, PLA | |
| Machine Frame | Extruded Aluminum | 304 stainless steel |
| Language Support | English and Spanish with one-touch toggle control | |
| Lubrication System | Sealed for life bearings and servo motion control make the SLX a lubrication free machine | |
| Film Thickness | Standard: 40 - 70 microns (1.5 - 3.0 mil) standard Optional: Capable of running the thinnest films available in the industry with thin gauge film tooling. | |

| | SLX-600 | SLX-800 |
|---|---|-------------------------------------|
| Film Unwind | Dual-reel film unwind with festoon film accumulation + manual splice on the fly | Dual-reel film unwind + autosplicer |
| Digital Recipe Parameter Control | Optional | Standard |
| Controls | Allen-Bradley Standard | |
| HMI | 10" Allen-Bradley PanelView Standard | |
| Servos | Allen-Bradley Standard | |
| Electrical Enclosure | NEMA 12 standard, NEMA 4X optional | |
| Power | 480 VAC, 3-Phase | |

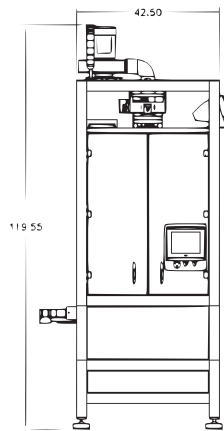
* Dependent on container sizes and shapes

CONFIGURATION

Top view



Front view



Dimensions are in inches

OPTIONS

- **Thin Gauge Film Handling System** - Enables machine to run the thinnest films available in the industry
- **Automatic Speed Control** - Enables machine to automatically increase or decrease speeds based on line conditions
- **Print Registration** - Fiber optic sensor reads film registration marks so the PLC can calculate cut lengths to assure sleeve length accuracy
- **Vertical, Horizontal & T Perforators** - Add perforations to enhance ease of opening
- **Swing Arm HMI** - Provides flexible access to machine controls
- **Inspection Rejection System** - Detects high label, low label, no label, and incorrect bar codes; includes secondary conveyor rejection system at discharge
- **Spare Parts Kit** - Recommended start-up parts inventory

SHRINK APPLICATIONS



FULL BODY



FULL BODY OVER THE CAP



TAMPER EVIDENT

©2019 ProMach Inc. ProMach reserves the right to change or discontinue specifications and designs shown in this brochure without notice or recourse
PM-AX-SP100_Axon_SLX_0719v3

PHONE
919-772-8383

EMAIL
Axon@ProMachBuilt.com

WEB
AxonCorp.com

P.E. North America
3080 Business Park Dr, Suite 103
Raleigh, NC 27610