



L&C

LABELING & CODING

# THERMORAY® RADIANT HEAT SHRINK TUNNELS



SHOWN WITH OPTIONAL FLOOR STAND

## Economical, compact, and easy-to-operate radiant heat shrink tunnels

ThermoRay® and ThermoRay Deluxe radiant heat shrink sleeve tunnels are the economical shrink models in Axon's complete line of shrink sleeve tunnels.

Thermoray radiant heat tunnels offer superior, uniform shrink performance by using infrared heating elements with integrated fans for even head distribution. They are ideal for low shrink % applications and tamper evident bands.

ThermoRay tunnels can accommodate a range of low-shrink applications and dual tunnel configurations are offered for higher speed applications or applications requiring longer shrink times.

### FEATURES AND BENEFITS

- **Fast delivery** - Modules are always in stock and assembled units ship within 48 hours
- **Size range flexibility** - Container diameters up to 3.5" and heights up to 5.5"
- **Tool-less container changeovers** - Process is quick, simple, intuitive and repeatable
- **Flexible installation** - Tunnels can be mounted to existing conveyor or mounted on optional floor stand
- **Stainless steel construction** - Durable, easy to clean, easy to maintain
- **Hydraulic spring cylinder** - Height adjustments for different containers are handled by a dependable hydraulic system
- **Solid state temperature controller** - Temperatures are controlled by zero maintenance solid state system

### SHRINK APPLICATIONS

Like every Axon shrink tunnel, ThermoRay offers the flexibility to perform multiple shrink applications. This flexibility makes Axon shrink sleeve applicators one of the best values in the industry.



FULL BODY



FULL BODY OVER THE CAP



TAMPER EVIDENT



PARTIAL

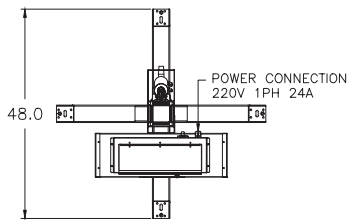
## TYPICAL PRODUCT SPECIFICATIONS

<b>ThermoRay Max. Container Dimensions</b>	Diameters up to 3.5" and heights up to 5.5"	<b>Power</b>	220 VAC, 1-phase 24 AMPS
<b>Mounting</b>	Conveyor mounted standard, floor mounted optional	<b>Weight</b>	50 lbs
<b>Heat Source</b>	2 x 2.5kW infrared heaters	<b>Construction</b>	Stainless steel
<b>Length</b>	30" (762 mm)	<b>ThermoRay Deluxe-Standard Features</b>	Digital temperature controllers
<b>Tunnel Opening</b>	4" wide x 6.25" high (102 mm x 158 mm)		Electrical lock-out, tag-out
			Automatic fan control standard

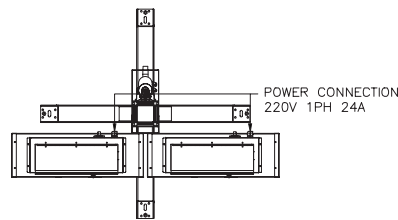
\* Dependent on product size and shape

## CONFIGURATION

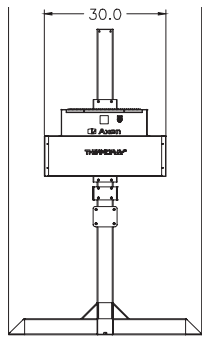
Top view SINGLE THERMORAY



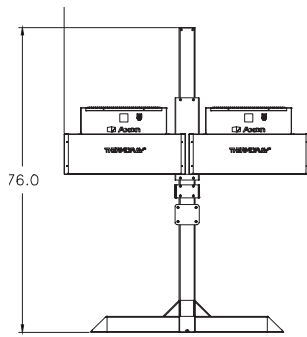
Top view DUAL THERMORAY



Front view SINGLE THERMORAY



Front view DUAL THERMORAY



Dimensions are in inches

## OPTIONS

- **Dual Tunnel Configuration** - Two tunnels mounted in series accommodate higher speed applications
- **Floor Stand** - Specified at time of order
- **Lift Assist** - Push button pneumatic system raises elevator to improve ease of changeovers and clearing container jams
- **Digital Temperature Controller** - Optional control system for ThermoRay, standard on ThermoRay Deluxe
- **Automatic Fan Control** - Fan is automatically activated by tunnel temperature; standard on ThermoRay Deluxe

## SHRINK APPLICATIONS



FULL BODY



FULL BODY OVER THE CAP



TAMPER EVIDENT



PARTIAL